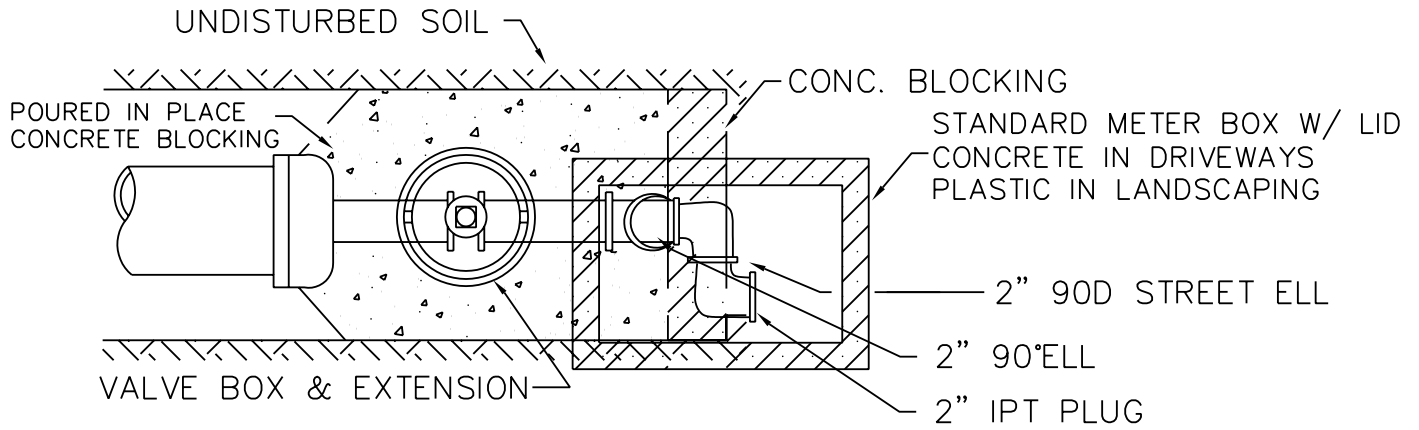
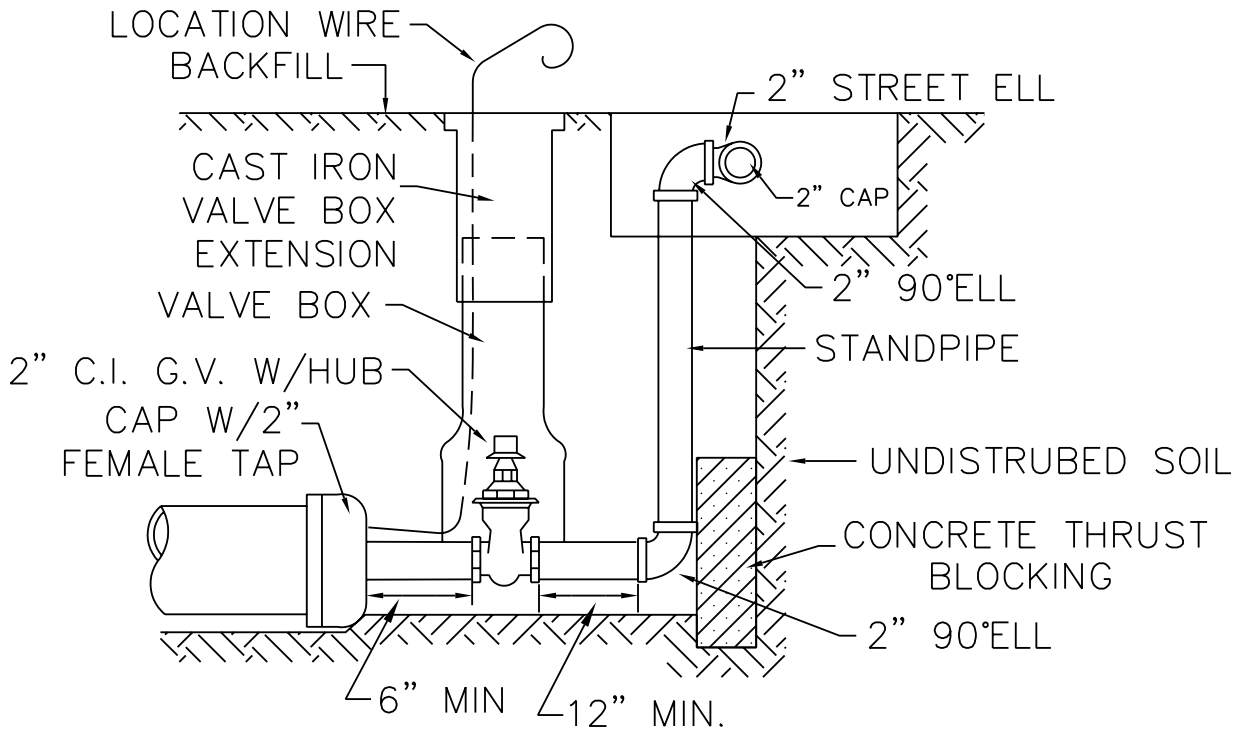


# TYPICAL BLOW OFF

DRAWING SUBJECT TO  
CHANGE WITHOUT NOTICE.  
CONTACT SUMMIT WATER FOR  
LATEST DETAILS.



PLAN VIEW



PROFILE VIEW

## NOTES

TYPE OF BLOWOFF AND SIZE OF THRUST  
BLOCKING TO BE DETERMINED BY SUMMIT  
WATER & SUPPLY CO.